

THERMAL TRANSMITTANCE CALCULATION

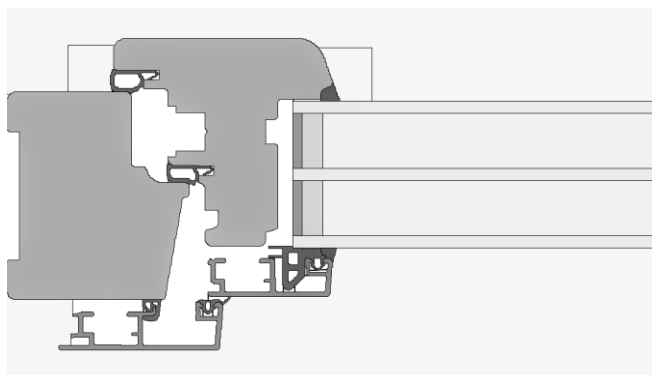
Calculation num.: 173.1/12

PRODUCT STANDARD: EN 14351-1 + A1

CALCULATION STANDARD: EN 1077-2:2012

SOFTWARE: WinIso 2D

VALIDITY: The data and results refer solely to the described specimen or to the specimen of bigger dimension but with the same frame and glazing details.

WINDOW TYPE Comfort 3Q**PRODUCT** Single tilt and turn window

Frame material	Wood - spruce/fir
Thermal transmittance of frame	$U_f = 1,2 \text{ W/m}^2\text{K}$, $b=107\text{mm}$
Thermal transmittance of glazing	$U_g = 0,5 \text{ W/m}^2\text{K}$ 4/18Ar/4/18Ar/4
Linear thermal transmittance of frame/glazing junction	$\Psi = 0,042 \text{ W/mK}$
Window dimension (w x h)	1230 mm x 1480 mm

 $U_w = 0,82 \text{ W/m}^2\text{K}$