

# THERMAL TRANSMITTANCE CALCULATION

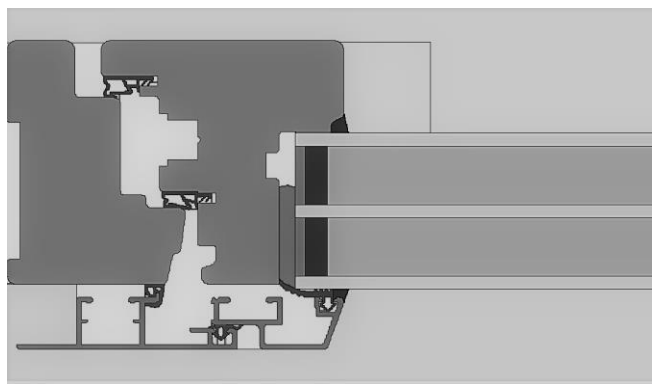
Calculation num.: 173.1/12

PRODUCT STANDARD: EN 14351-1 + A1

CALCULATION STANDARD: EN 1077-2:2012

SOFTWARE: WinIso 2D

**VALIDITY:** The data and results refer solely to the described specimen or to the specimen of bigger dimension but with the same frame and glazing details.

**WINDOW TYPE** Comfort Optimo XLS**PRODUCT** Single tilt and turn window

|  |  |
|--|--|
| Frame material   | Wood - spruce/fir                                    |
| Thermal transmittance of frame                         | $U_f = 1,1 \text{ W/m}^2\text{K}$ , $b=104\text{mm}$ |
| Thermal transmittance of glazing                       | $U_g = 0,5 \text{ W/m}^2\text{K}$<br>4/18Ar/4/18Ar/4 |
| Linear thermal transmittance of frame/glazing junction | $\Psi = 0,042 \text{ W/mK}$                          |
| Window dimension (w x h)                               | 1230 mm x 1480 mm                                    |

 $U_w = 0,78 \text{ W/m}^2\text{K}$